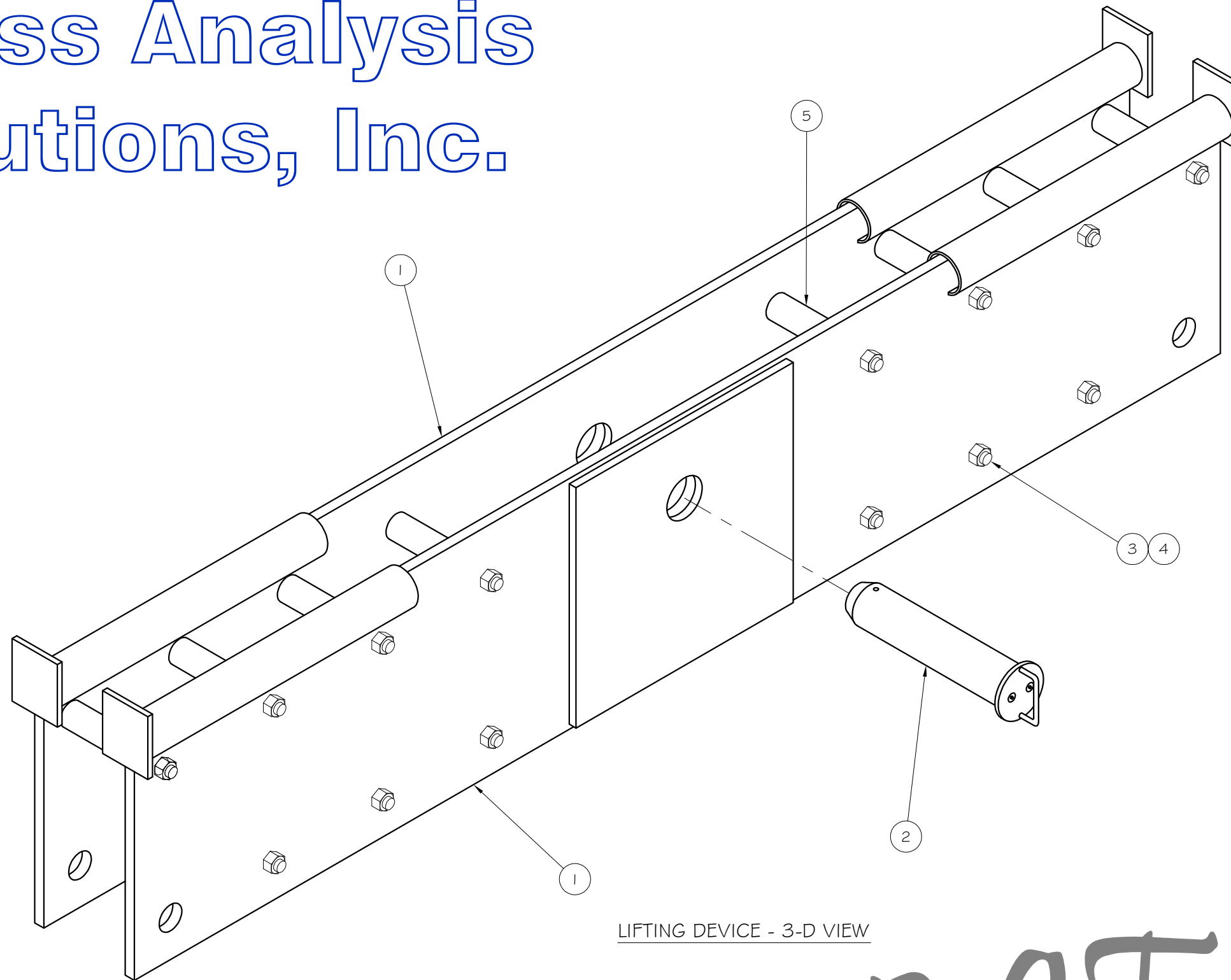


Stress Analysis Solutions, Inc.



LIFTING DEVICE - 3-D VIEW

SAMPLE